



NEMA-6P, IP-68 Option for The Signalizer™



**NEMA-6P / IP-68 Enclosure for TheSignalizer™
(Electronic Components Not Included)**

Installation Instructions -

Please note that the fidelity of this enclosure's high-performance rating, NEMA-6P/IP-68, is dependent upon adherence to stringent installation standards.

Installation Instructions for Electrical Enclosure, UL-508A Listed, Category NITW – Industrial Control Panel Enclosure. File # E352997. Types 1, 2, 3, 3X, 3R, 3RX, 3S, 3SX, 4, 4X, 5, 6/6P*, 12, 13

* For Type 6/6P enclosure ratings, all 4 screws must be used to secure the cover with or without the hinge.

Unit includes four (4) #10-32 stainless steel cover screws to secure the cover. Recommended torque for cover screws is 12 in-lbs. The enclosure also consists of a base, gasketed cover, mounting flanges, and four (4) #10-32 stainless steel screws to install the mounting flange.

The mounting flanges are fastened to the base using the four (4) #10-32 stainless steel screws provided with the enclosure. Suggested torque is 15-20 in-lbs. The cover screws and flange screws are identical.

Modifications:

If this enclosure has been provided with customer-specified modifications, any openings must be filled with UL Listed components or fittings with environmental ratings equal to the enclosure's environmental rating to preserve the desired rating. Any modifications must be made to the components manufacturer's specifications.

Type 2, 3R, and/or 3RX enclosures require a drainage opening in the enclosure. Drainage openings shall not be less than 3.2mm (1/8") in diameter or more than 6.4mm (1/4") in diameter. The hole must be located in the lowest part of the bottom wall to maintain Type 2, 3R, 3RX ratings.

Installation of Conduits and Grounding:

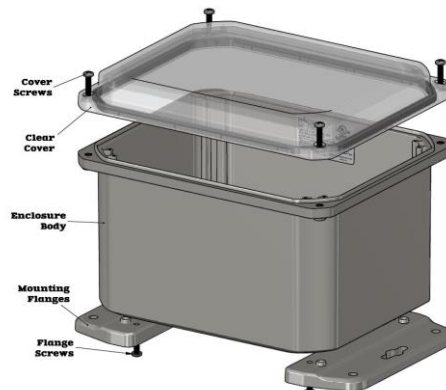
Conduit holes can be made in the enclosure in any location per applicable codes and standards. Rigid, metallic and non-metallic conduit and fittings can be used, as well as appropriate liquid-tight flexible conduit systems. Hole saws, speed bores, or hydraulic punches can be used. In order to maintain required environmental ratings, only the use of UL Listed metallic conduit hubs with environmental ratings appropriate for the end use are required.

Metallic conduits must be grounded. Bonding between conduit connection is not automatic and must be provided as part of the installation.

In order to prevent enclosure damage and to maintain enclosure requirements, conduits should be aligned to prevent unnecessary stress on enclosure walls.

Miscellaneous Notes:

1. OK to use a compatible PVC cement to connect fittings to the enclosure.
2. Internal mounting bosses have #10-32 thread. The non-inserted mounting bosses accept a #10 x 3/8" self-tapping screw.



Specifications -

- Dimensions: 11.04 x 9.04 x 7.72 in
- Weight: 3.80 lbs
- UL 508A Listed (File E352997)
- NEMA Rated: 1, 2, 3, 3R, 3X, 3RX, 3S, 3SX, 4, 4X, 5, 6, 6P, 12 & 13
- IP Rated: IP65, IP66, IP67, IP68
- Base Material: Impact-Resistant Polycarbonate
- Outdoor Capable: Yes, Waterproof, Weatherproof, Corrosion-Resistant
- Hardware: Stainless Steel Screws
- Seal: Continuous gasket paired with a thick and tall rib
- Mounting: Includes Custom Fiberglass Back Panel and Din-Rail
- Structural: Webbing design on flanges and feet for added durability
- Installation: Includes Vertical/Horizontal Flange Mounting Kit
- Made in the USA

