

CUSTOMER

JAMES

SPECIFICATION FOR APPROVAL

AC/DC ADAPTOR

CUSTOMER SPEC: INPUT: 100-240V AC 50/60Hz OUTPUT: 24VDC 1000mA

CUSTOMER DWG./PART NO. Wall Mount, UL, 5.5*2.1*10mm, 1.83m

PART NO. S024-1B240100HU

SAMPLE NO: M2200759 REV.: ISSUE DATE: 2022-9-22

PRDUCT NO: SN00759DG

Unit Color: Black



White



APPROVED SIGNATURES/客户确认

核准/APPROVED BY	审核/CHECKED BY:	检测/TESTED BY:

Manufacturer/制造商

业务/SALES	品管/QE	核准/APPROVED BY	制样/DESIGNED BY
EDDY 袁	周松平	宋军	阳灿

Von Development Ltd. 旺怡發展有限公司

1A, Fook Ying Bldg, 379 Kings Road, North Point, Hong Kong

TEL: 852-2187-2875

FAX: 852-3012-1881

info@vonhk.com

Notice of Deviation

Customer Request	Submitted Sample	Mass Production

Mass Power Confidential - Issued

ISSUE DATE: 13 th .September.2022	Sales BY: 周露	DESIGNED BY: 周磊涛	APPROVED BY: 罗赞兴
MSP PN.: SN00759DG	ITEM No.: Specification	MODEL No. S024-1B240100HU	SHEET: Page 3 of 21

TABLE OF CONTENT

1.0	SCOPE	6
1.1	DESCRIPTION	6
2.0	INPUT CHARACTERISTIC	6
2.1	INPUT VOLTAGE RANGE	6
2.2	INPUT FREQUENCY RANGE	6
2.3	INPUT CURRENT	6
2.4	INRUSH CURRENT	6
2.5	POWER CONSUMPTION	6
2.6	EFFICIENCY	6
3.0	OUTPUT CHARACTERISTIC	7
3.1	STATIC LOAD	7
3.2	RIPPLE & NOISE	7
3.3	TURN ON DELAY TIME	7
3.4	HOLD UP TIME	7
3.5	RISE TIME	7
3.6	OVERSHOOT & UNDERSHOOT	7
3.7	TRANSIENT RESPONSE	7
3.8	LINE REGULATION	8
3.9	LOAD REGULATION	8
4.0	PROTECTION REQUIREMENT	8
4.1	OVER VOLTAGE PROTECTION	8
4.2	OVER CURRENT & SHORT CIRCUIT PROTECTION	8
5.0	ENVIRONMENTAL CONDITIONS	9
5.1	OPERATING	9
5.2	NON - OPERATING	9
6.0	ELECTRO MAGNETIC COMPATIBILITY	10
6.1	EMI STANDARDS	10
6.2	EMS STANDARDS	10
7.0	RELIABILITY AND QUALITY CONTROL	11
7.1	MTBF	11
7.2	BURN-IN	11

ISSUE DATE: 13 th .September.2022	Sales BY: 周露	DESIGNED BY: 周磊涛	APPROVED BY: 罗赞兴
MSP PN.: SN00759DG	ITEM No.: Specification	MODEL No. S024-1B240100HU	SHEET: Page 4 of 21

7.3	ELECTROLYTIC CAPACITOR LIFE TIME	11
7.4	DROP TEST	11
8.0	MECHANICAL.....	12
8.1	INPUT AND OUTPUT CONNECTOR ASSIGNMENT	12
8.2	PHYSICAL DIMENSIONS.....	12
8.3	LABEL.....	12
8.4	WEIGHT	12
8.5	CONNECTOR TYPE	12
9.0	SAFETY	12
9.1	REGULATORY STANDARD	12
9.2	INSULATION RESISTANCE.....	13
9.3	DIELECTRIC STRENGTH (HI-POT)	13
9.4	LEAKAGE CURRENT	13
10.0	ENVIRONMENTAL COMPLIANCE.....	13
10.1	RoHS	13
10.2	Packaging	13
10.3	REACH	13
10.4	WEEE (Waste Electrical and Electronic Equipmeng)	13
11.0	CIRCUIT SCHEMATIC.....	14
12.0	PCB LAYOUT	15
13.0	OUTLINE DRAWING.....	16
14.0	NAMEPLATE.....	17
15.0	DC CABLE DRAWING.....	18
16.0	PACKING DRAWING	19

ISSUE DATE: 13 th .September.2022	Sales BY: 周露	DESIGNED BY: 周磊涛	APPROVED BY: 罗赞兴
MSP PN.: SN00759DG	ITEM No.: Specification	MODEL No. S024-1B240100HU	SHEET: Page 5 of 21

1.0 SCOPE

This document details the electrical, mechanical and environmental specifications of a switching power supply 24 watts of 24V which will be used, power supply is 2Pin input.

1.1 DESCRIPTION

- | | |
|--|---|
| <input checked="" type="checkbox"/> WALL MOUNT | <input type="checkbox"/> OPEN FRAME |
| <input type="checkbox"/> DESK-TOP | <input type="checkbox"/> POWER SUPPLY UNIT(WITH METAL CASE) |
| <input type="checkbox"/> INTERCHANGEABLE AC PLUG | <input type="checkbox"/> OTHERS |

2.0 INPUT CHARACTERISTIC

2.1 INPUT VOLTAGE RANGE

MIN.	NORMAL	MAX.
90Vac	100-240Vac	264Vac

2.2 INPUT FREQUENCY RANGE

MIN.	NORMAL	MAX.
47Hz	50/60Hz	63Hz

2.3 INPUT CURRENT

The maximum input current is 0.6A RMS at 100Vac input & full-load.

2.4 INRUSH CURRENT

Inrush current should not cause I²T of fuse and rectifier diode to exceed specification and power supply should not be damaged during 100-240VAC, 25°C cold start.

2.5 POWER CONSUMPTION

The input power should be less than 0.1W with output 0A at 115/230Vac input.

2.6 EFFICIENCY

86.20% min. @ average of 25%,50%,75%,100% load at 115Vac 60Hz / 230Vac 50Hz input. (Meet DOE VI)

ISSUE DATE: 13 th .September.2022	Sales BY: 周露	DESIGNED BY: 周磊涛	APPROVED BY: 罗赞兴
MSP PN.: SN00759DG	ITEM No.: Specification	MODEL No. S024-1B240100HU	SHEET: Page 6 of 21

3.0 OUTPUT CHARACTERISTIC

3.1 STATIC LOAD

Output Voltage	Total Regulation	Load Range		
		MIN.	MAX.	Peak
24V	22.8-25.2V	0A	1A	/

3.2 RIPPLE & NOISE

The maximum ripple must be less than 150mVp-p when subjected to the following conditions:

- 1). Bandwith: 20MHz
- 2). Add a 47uF/50V(Low ESR) electrolytic capacitor in parallel with a 100nF/50V ceramic capacitor at the point of output load.
- 3). Line Voltage: 90Vac,115Vac,230Vac,264Vac
- 4). Output Load: 0,25%,50%,75%,100%
- 5). Ambient: 25°C

3.3 TURN ON DELAY TIME

Measure output delay time at the rated load by 115Vac condition 4sec Max.

3.4 HOLD UP TIME

10 msec minimum from loss of 115Vac/60Hz input at maximum load .

3.5 RISE TIME

The output voltage shall rise from 10% to 90% of nominal to within the regulation ranges within 30mS at Full load @ 90Vac,115Vac,230Vac,264Vac input.

3.6 OVERSHOOT & UNDERSHOOT

The overshoot shall less than 10% of nominal voltage at power on stage, recovery less than 100mS, when turn off the unit, The output voltage undershoot shall not happen.

3.7 TRANSIENT RESPONSE

The overshoot and undershoot should be less than ±10% of the nominal output voltage.

Test condition:

Slew rate: 0.15A/uS, 20%~80%~20% of maximum load

T1=T2=5mS, 115Vac/60Hz, 230Vac/60Hz input.

ISSUE DATE: 13 th .September.2022	Sales BY: 周露	DESIGNED BY: 周磊涛	APPROVED BY: 罗赞兴
MSP PN.: SN00759DG	ITEM No.: Specification	MODEL No. S024-1B240100HU	SHEET: Page 7 of 21

3.8 LINE REGULATION

The line regulation of rated output voltage is less than $\pm 5\%$ while measuring at rated load and $\pm 10\%$ of input voltage changing.

3.9 LOAD REGULATION

The load regulation of rated output voltage is less than $\pm 5\%$ at measured output load from 10% to 100% rated load

4.0 PROTECTION REQUIREMENT

4.1 OVER VOLTAGE PROTECTION

The power supply shall be hiccupped when output voltage reaches to its over – voltage protection trigger point 36V Max.

- The power supply shall fail but safe – the input power shall be less than ___ W.
- The power supply shall be self – recovering when the fault condition is removed.
- The power supply will go into latch-off mode, and have to OFF and ON the AC input to restart the power supply.

4.2 OVER CURRENT & SHORT CIRCUIT PROTECTION

The power supply shall be hiccupped when operating any output in overload condition (2A Max.), or when operating any output in a short circuit condition.

- The power supply short circuit protection – the input power shall be 0-8 W.
- The power supply shall be self – recovering when the fault condition is removed.
- The power supply will go into latch-off mode, and have to OFF and ON the AC input to restart the power supply.

ISSUE DATE: 13 th .September.2022	Sales BY: 周露	DESIGNED BY: 周磊涛	APPROVED BY: 罗赞兴
MSP PN.: SN00759DG	ITEM No.: Specification	MODEL No. S024-1B240100HU	SHEET: Page 8 of 21

5.0 ENVIRONMENTAL CONDITIONS

5.1 OPERATING

The power supply shall be capable of operating continuously in any mode without performance deterioration in the following environmental conditions.

5.1.1 Ambient Temperature: 0°C ~40°C @ full load

5.1.2 Relative Humidity: 20% ~ 98% Non-Condensing

5.1.3 Altitude : Sea level to -50m ~ 5000m.

5.2 NON - OPERATING

The power supply shall be capable of withstanding the following environmental conditions extended periods of time, without sustaining electrical or mechanical damage and subsequent operational deficiencies:

5.2.1 Ambient Temperature: -20°C ~ +80°C

5.2.2 Relative Humidity: 20% ~ 98% Non-Condensing

5.2.3 Altitude : Sea level to -50m ~ 5000m.

Mass Power Confidential - Issued

ISSUE DATE: 13 th .September.2022	Sales BY: 周露	DESIGNED BY: 周磊涛	APPROVED BY: 罗赞兴
MSP PN.: SN00759DG	ITEM No.: Specification	MODEL No. S024-1B240100HU	SHEET: Page 9 of 21

6.0 ELECTRO MAGNETIC COMPATIBILITY

6.1 EMI STANDARDS

The power supply shall meet the radiated and conducted emission requirements for [FCC part 15 CLASS B](#)

6.2 EMS STANDARDS

The power supply shall meet the following EMS standards [EN55035](#)

6.2.1 EN61000-4-2 Electrostatic Discharge (ESD)

Static – discharge test by contact or air should be conducted with Static – discharge teeter, energy storage capacitance of 150pF, and discharge resistance of 330Ω.

[4KV contact discharge](#), [8KV air discharge](#),

Performance Criterion [A](#).

6.2.2 EN61000-4-3 RADIATED ELECTROMAGNETIC FIELDS(RS)

Radio- frequency Electromagnetic Field Susceptibility Test, RS, 80-1000MHz, [3V/m](#), 80%AM(1KHz), Performance Criterion [A](#).

6.2.3 EN61000-4-4 Electrical Fast Transient / Burst (EFT)

Power Line to Line: [1KV](#)

Line to earth: [1KV](#)

Performance Criterion [A](#).

6.2.4 EN61000-4-5 Lightning Surge (1.2/50uS-8/20uS Combination Wave)

Lightning Surge voltage of differential and common modes shall be applied across AC input lines and across input and frame ground.

Power Line to Line: [1KV](#)

Line to Earth : [1KV](#)

Performance Criterion [A](#).

6.2.5 EN61000-4-6 CONDUCTED RADIO FREQUENCY DISTURBANCES(CS)

Conducted Radio Frequency Disturbances Test, CS, 0.15-80 MHz, [3Vrms](#), 80%AM, 1KHz, Performance Criterion [A](#).

ISSUE DATE: 13 th .September.2022	Sales BY: 周露	DESIGNED BY: 周磊涛	APPROVED BY: 罗赞兴
MSP PN.: SN00759DG	ITEM No.: Specification	MODEL No. S024-1B240100HU	SHEET: Page 10 of 21

7.0 RELIABILITY AND QUALITY CONTROL

7.1 MTBF

The MTBF shall be at least [50,000 hours](#) at 25°C, full load, 115Vac/60Hz and 230Vac/50Hz input, following [SR-332 issue03\(2011\)](#).

7.2 BURN-IN

The power supply shall undergo a minimum of [4](#) hours Burn-In test at 40°C ±5°C under full load and nominal input voltage [for QA test](#).

The power supply shall undergo a minimum of [2](#) hours Burn-In test at 40°C ±5°C under full load and nominal input voltage [for mass production](#).

7.3 ELECTROLYTIC CAPACITOR LIFE TIME

The life time of Electrolytic Capacitor should be greater than [2](#) years under [120V 60Hz/ 230V 50Hz](#) input @[25°C](#) ambient condition with [full load](#).

The Electrolytic Capacitor life calculated base on actual temperature measurement and shall take into account all factors which affect life base on each capacitor vendor' s Electrolytic Capacitor life formula.(For example capacitor temperature and ripple current).

7.4 DROP TEST

All types of wall mount and desktop power supply products are required to have a drop test to be verified.

The testing height must be [100cm +/-1cm](#) from the ground, drop one times for each welding side of the product ([total 6 times](#)), drop on the [30mm hardwood surface](#).

All power supply products must meet the requirement on the specification and do not have any isolation broken.

ISSUE DATE: 13 th .September.2022	Sales BY: 周露	DESIGNED BY: 周磊涛	APPROVED BY: 罗赞兴
MSP PN.: SN00759DG	ITEM No.: Specification	MODEL No. S024-1B240100HU	SHEET: Page 11 of 21

8.0 MECHANICAL

8.1 INPUT AND OUTPUT CONNECTOR ASSIGNMENT

The power supply shall provide input connectors as in table 8.1

PIN#	Polarity
1	Line
2	Neutral

Table 8.1 Top view of AC input Pin assignment

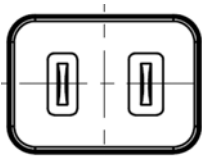


Table 8.2 Top view output Pin assignment



8.2 PHYSICAL DIMENSIONS

The detail dimension of the power supply, please see attachment.

8.3 LABEL

The label of the power supply, please see attachment.

8.4 WEIGHT

The weight of the power supply shall be Approx [117.0g ±5%](#).

8.5 CONNECTOR TYPE

AC INPUT	UL 2PIN
DC OUTPUT	5.5*2.1*10mm Fork & Groove, UL2468, 24AWG, 1830mm

9.0 SAFETY

9.1 REGULATORY STANDARD

The power supply shall be certified under the following international regulatory standards:

	Country	Certified Status	Standard
UL/cUL	America / Canada	Approved	UL 62368-1 / CSA C22.2

ISSUE DATE: 13 th .September.2022	Sales BY: 周露	DESIGNED BY: 周磊涛	APPROVED BY: 罗赞兴
MSP PN.: SN00759DG	ITEM No.: Specification	MODEL No. S024-1B240100HU	SHEET: Page 12 of 21

9.2 INSULATION RESISTANCE

Input to output: Min. [10 MΩ](#) at 500VDC.

9.3 DIELECTRIC STRENGTH (HI-POT)

Primary to Secondary (Without Ground): [AC 3000V , 10mA Max](#) , 1 minute for type test .

Primary to Secondary (Without Ground): [AC 3600V , 10mA Max](#) ,2S for production

Note: The negative of secondary is connected with Ground.

9.4 LEAKAGE CURRENT

The leakage current shall be less than [0.25mA](#) , when power supply is operated maximum input voltage and maximum load.

10.0 ENVIRONMENTAL COMPLIANCE

10.1 RoHS

Meet 2011/65/EU directive and its amendment (EU) 2015/863

10.2 Packaging

Meet EU94/62/EC directive

10.3 REACH

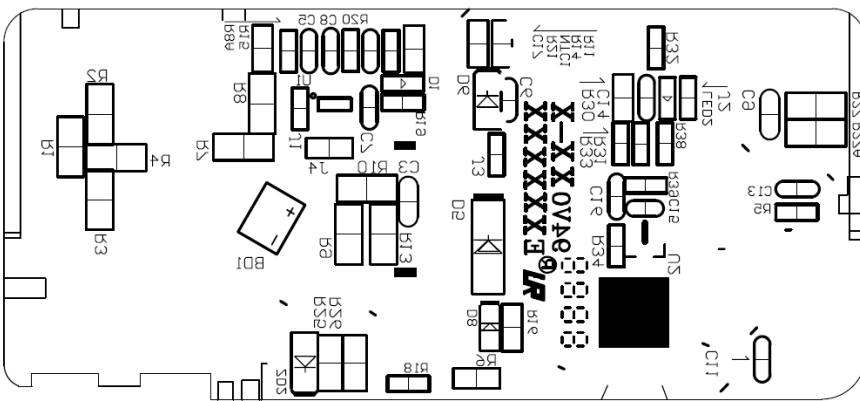
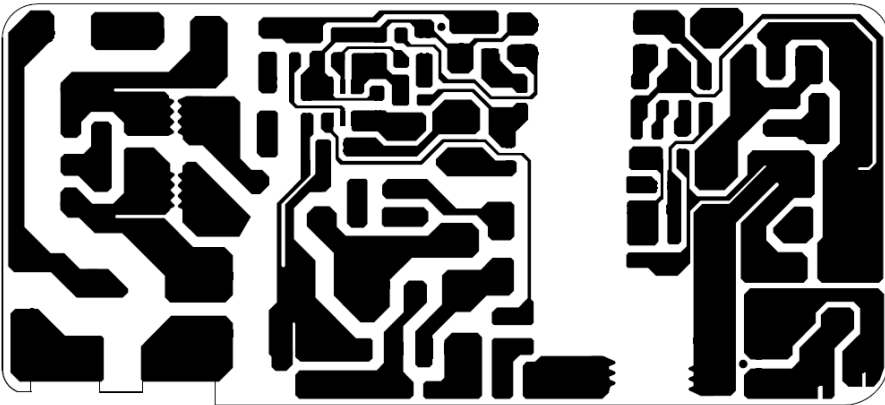
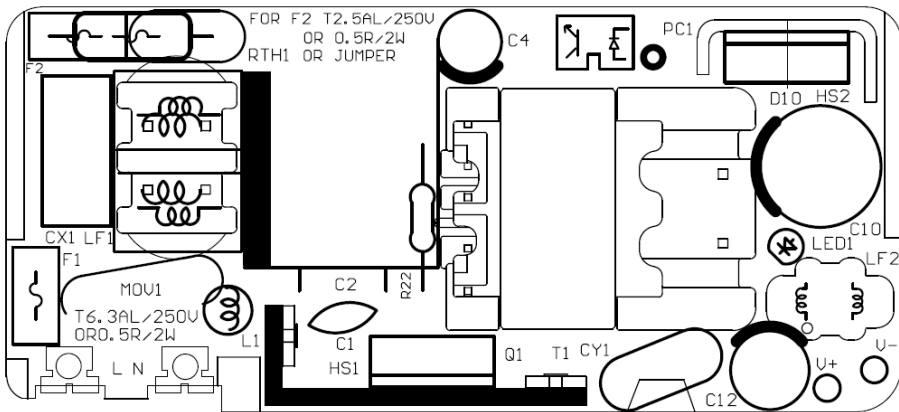
Meet EU 2006/1907/EC directive

10.4 WEEE (Waste Electrical and Electronic Equipmeng)

Meet EU 2012/19EC directive

ISSUE DATE: 13 th .September.2022	Sales BY: 周露	DESIGNED BY: 周磊涛	APPROVED BY: 罗赞兴
MSP PN.: SN00759DG	ITEM No.: Specification	MODEL No. S024-1B240100HU	SHEET: Page 13 of 21

12.0 PCB Layout



Notes:

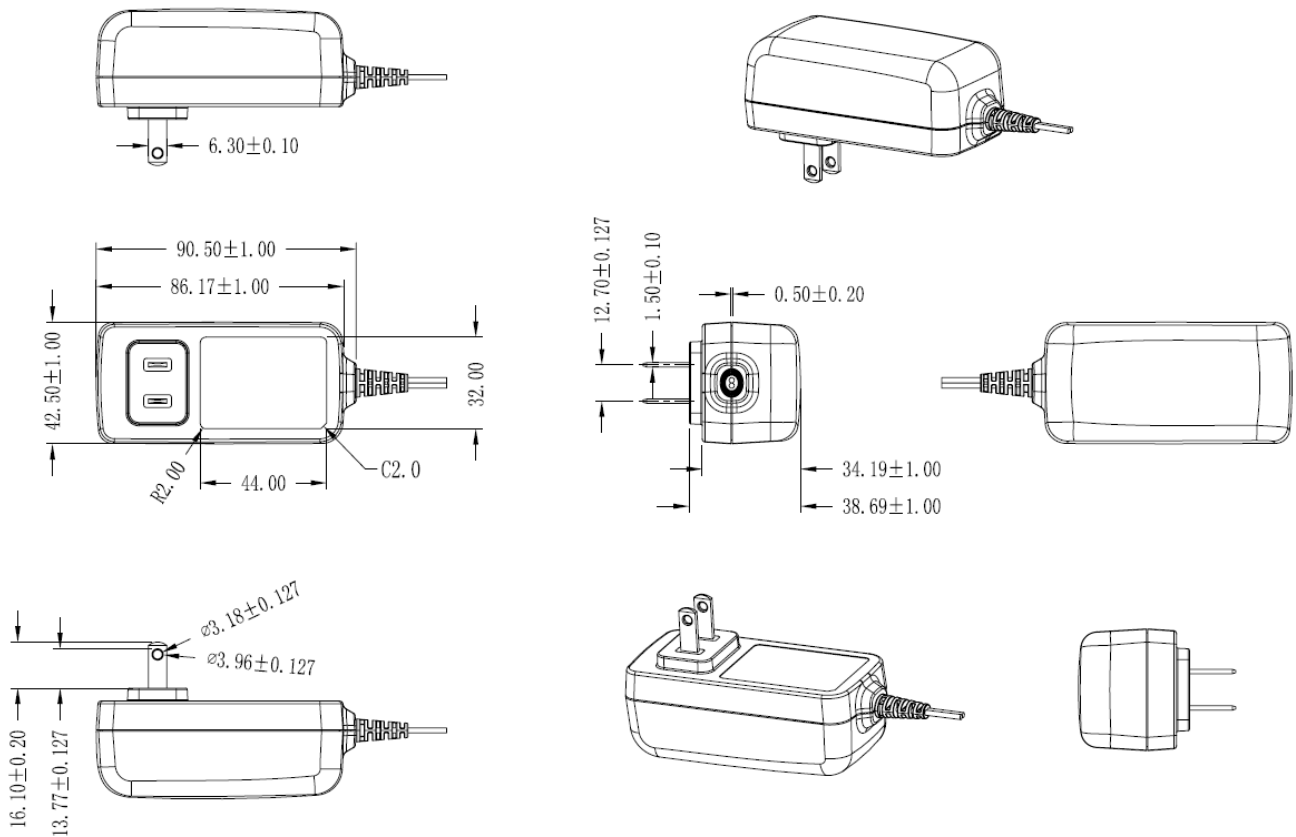
PCB white area laser QR code

The QR code's number have nine digits , For Example : 123456789

1. Number 1, means laser machine No.: 1~9, A~Z(no include I,O)
2. Number 2, means Year, 1~9,A~Z(no include I,O), for example "9 for 2019" "A" for 2020
3. Number 3, means Month,1~9 for Jan to Sep, "A" for Oct, "B" for Nov, "C" for Dec
4. Number 4, means Date,1~9,A~X(no include I,O),for example "9AA" for 2019/10/10
5. Number 5 to 8, means serial number: 1~9, A~Z(no include I,O), first number:0001
6. Number 9 , means PCB code : 1~9 , A~Z(no include I,O)

ISSUE DATE: 13 th .September.2022	Sales BY: 周露	DESIGNED BY: 周磊涛	APPROVED BY: 罗赞兴
MSP PN.: SN00759DG	ITEM No.: Specification	MODEL No. S024-1B240100HU	SHEET: Page 15 of 21

13.0 OUTLINE DRAWING

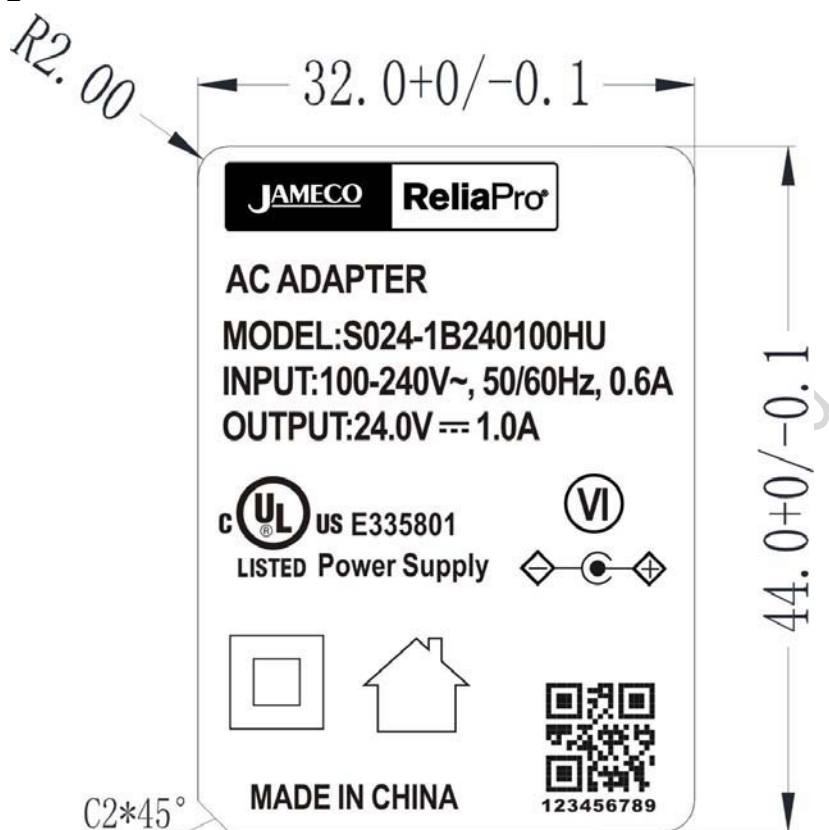


Notes:

1. Physical size: $90.50 \pm 1.0\text{mm(L)} * 42.50 \pm 1.0\text{mm(W)} * 38.69 \pm 1.0\text{mm(H)}$
2. Unit: mm
3. Material: PC945, UL94V-0
4. Color: BLACK
5. AC Input Plug: UL

ISSUE DATE: 13 th .September.2022	Sales BY: 周露	DESIGNED BY: 周磊涛	APPROVED BY: 罗赞兴
MSP PN.: SN00759DG	ITEM No.: Specification	MODEL No. S024-1B240100HU	SHEET: Page 16 of 21

14.0 NAMEPLATE



Notes:

Unit: mm

1.Laser

The QR code' s number have nine digits , For Example : 123456789

Number 1 to 2, means laser machine No.:per code 1~9, A~Z(no include I,O)

Number 3, means Year, 1~9,A~Z(no include I,O), for example "9" for 2019," A" for 2020

Number 4, means Month,1~9 for Jan to Sep, "A" for Oct, "B" for Nov, "C" for Dec

Number 5, means Date,1~9,A~X(no include I,O),for example "A5G" for 2020/05/16

Number 6 to 9, means serial number: 1~9, A~Z(no include I,O)

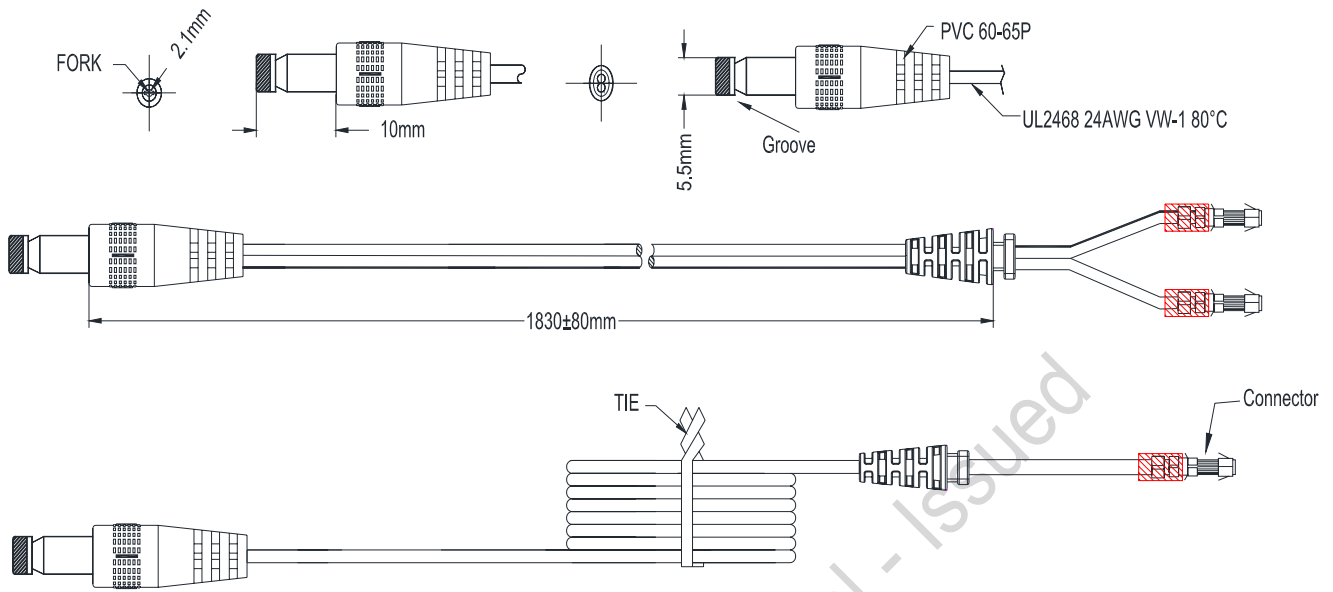
QR code size:7mm*7mm , type : QR Code


Digit Size:0.9mm(H) (±0.5mm)

The distance from QR code size to the digit size:0.5-1mm

ISSUE DATE: 13 th .September.2022	Sales BY: 周露	DESIGNED BY: 周磊涛	APPROVED BY: 罗赞兴
MSP PN.: SN00759DG	ITEM No.: Specification	MODEL No. S024-1B240100HU	SHEET: Page 17 of 21

15.0 DC CABLE DRAWING



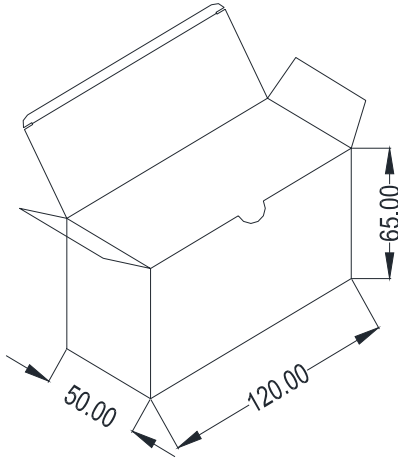
1. DC Plug: $5.5 \pm 0.05\text{mm} \times 2.1 + 0.1 / - 0\text{mm} \times 10 \pm 0.5\text{mm}$, Fork & Groove 
2. Wire: UL2468 , 300V , 80°C , 24AWG , $1830 \pm 80\text{mm}$
3. Polarity: BLACK and WHITE----Positive, BLACK----Negative
4. DC Jack: PVC

Mass Power Confidential - Issued

ISSUE DATE: 13 th .September.2022	Sales BY: 周露	DESIGNED BY: 周磊涛	APPROVED BY: 罗赞兴
MSP PN.: SN00759DG	ITEM No.: Specification	MODEL No. S024-1B240100HU	SHEET: Page 18 of 21

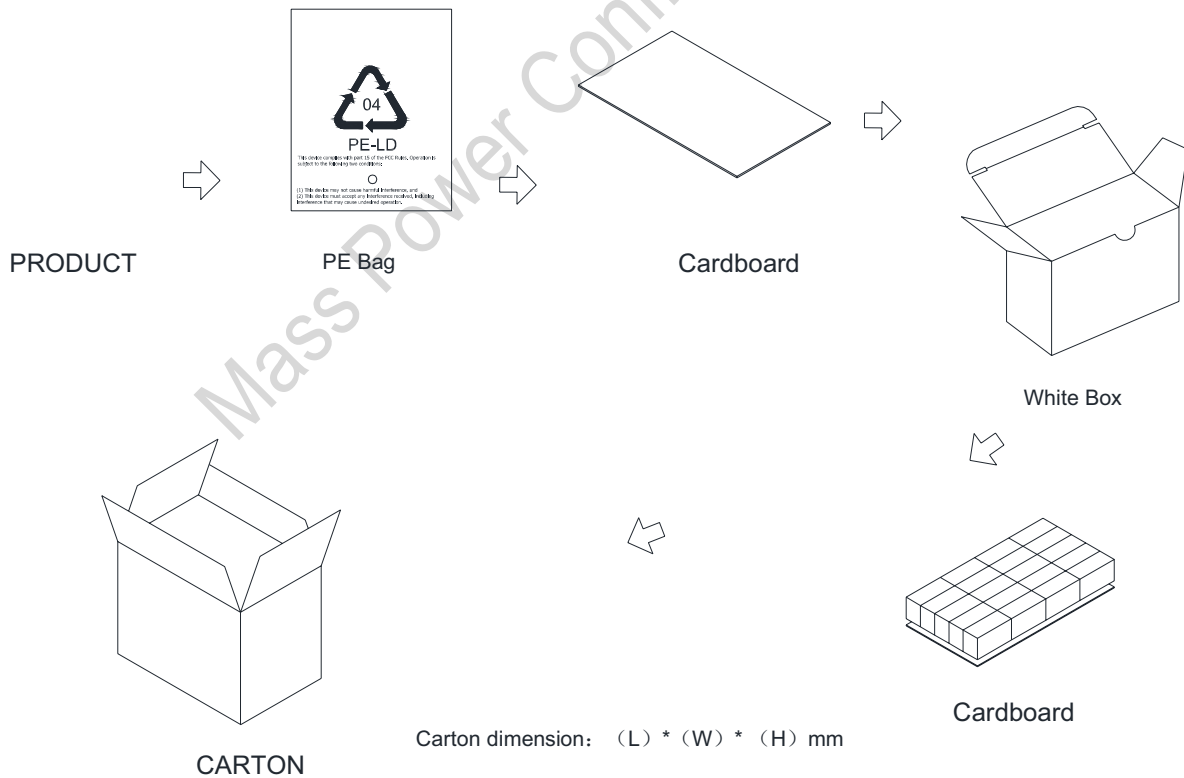
16.0 PACKING DRAWING

6.1 White Box



1. Unit: mm
2. Size: 120±1mm *50±1mm*65±1mm
3. Material: 400g

6.2 Croton



ISSUE DATE: 13 th .September.2022	Sales BY: 周露	DESIGNED BY: 周磊涛	APPROVED BY: 罗赞兴
MSP PN.: SN00759DG	ITEM No.: Specification	MODEL No. S024-1B240100HU	SHEET: Page 19 of 21

CERTIFICATE OF COMPLIANCE

Certificate Number 20180911-E335801
Report Reference E335801-A6005-UL
Issue Date 2018-SEPTEMBER-11

Issued to: MASS POWER ELECTRONIC LTD
10TH FL, TOWER A BILLION CENTRE
1 WANG KWONG RD
KOWLOON BAY
KOWLOON HONG KONG
HONG KONG

**This is to certify that
representative samples of**

Power Supplies for Use in Audio/Video, Information and
Communication Technology Equipment

AC ADAPTER, Models S024-1BxxxxyyHU, S024-
1BxxxxyyVU, S024-1BxxxxyyD5, S024-1BxxxxyyM2

(xxx=090-150 or 180-240, indicates rated output voltage
range 9.0-15.0 or 18.0-24.0Vd.c., with step 0.1Vd.c.,
yyy=005-266, indicates rated output current range 0.05-
2.66A, with step 0.01A)

Have been investigated by UL in accordance with the
Standard(s) indicated on this Certificate.

Standard(s) for Safety:

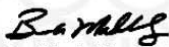
UL 62368-1, Audio/Video, Information and Communication
Technology Equipment Part 1: Safety Requirements
CSA C22.2 No. 62368-1-14, Audio/Video, Information and
Communication Technology Equipment Part 1: Safety
Requirements

Additional Information:

See the UL Online Certifications Directory at
www.ul.com/database for additional information

Only those products bearing the UL Certification Mark should be considered as being covered by UL's
Certification and Follow-Up Service.

Look for the UL Certification Mark on the product.



Bruce Mahrenholz, Director North American Certification Program
UL LLC



Any information and documentation involving UL Mark services are provided on behalf of UL LLC (UL) or any authorized licensee of UL. For questions, please
contact a local UL Customer Service Representative at <http://ul.com/aboutus/locations>.

Page 1 of 1

ISSUE DATE: 13 th .September.2022	Sales BY: 周露	DESIGNED BY: 周磊涛	APPROVED BY: 罗赞兴
MSP PN.: SN00759DG	ITEM No.: Specification	MODEL No. S024-1B240100HU	SHEET: Page 20 of 21



FCC Part 15 Verification

No.8,JinQianLing street 5,DongHuan Road,
Huangjiang Town,Dongguan,China.

Te l: 86-769-39001678
Fax: 86-20-62824387
www.i-testlab.com


No. ITL- D210430003-1

Applicant : **Mass Power Electronic Limited**
Address : 10/F, Tower A, Billion Centre 1 Wang Kwong Road, Kowloon Bay,
Kowloon, Hong Kong
Product : **AC Adaptor**
Model No. : **S024-1BxxxxyyyHU; S024-1BxxxxyyyVU; S024-1BxxxxyyyD5;
S024-1BxxxxyyyM2 (More details see test report)**
Technical data : 100-240V~ or 100-120V~, 50/60Hz, 0.6A

The above product, has been type- tested for compliance with
Conducted Emissions with limits described at FCC Part 15B Class B per section 15.107
Radiated Emissions with limits described at FCC Part 15B Class B per section 15.109
in a Listed test laboratory according to FCC rules section 2.948 for measuring devices under Parts 15. Enclosed
please find the verification test report.

For home or office use

Approved By:
ITL CO., LTD

Signature: 
Date: Apr. 30, 2021

ITL CO., LTD Test Report No. D210430003

ISSUE DATE: 13 th .September.2022	Sales BY: 周露	DESIGNED BY: 周磊涛	APPROVED BY: 罗赞兴
MSP PN.: SN00759DG	ITEM No.: Specification	MODEL No. S024-1B240100HU	SHEET: Page 21 of 21