

Radio-Read Filter

SHARED ACCESS TO A MASTER METER BY TWO SCADA SYSTEMS

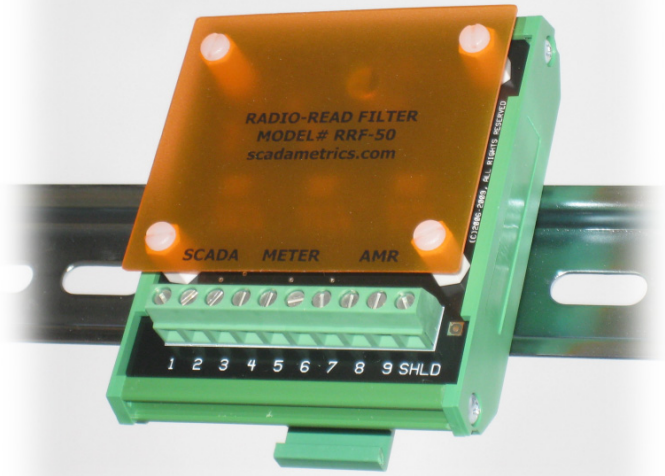
Allows Two SCADA Systems To Concurrently Connect To A Water Utility Master Meter...

In many custody-transfer master metering stations, it is desirable that the water meter totalization and flow-rate data be continuously read by two independent SCADA systems: By both the Buyer AND the Seller.

Today, SCADAmetrics has made this possible with the introduction of the RRF-50 "Radio-Read Filter".

The RRF-50, which is contained within a standard 35mm Din-Rail mountable package, effectively allows two EtherMeters to independently interrogate and share a single master meter^{1,2}. Because it derives all necessary power from a connected EtherMeter, the RRF-50 conveniently requires no external power supply.

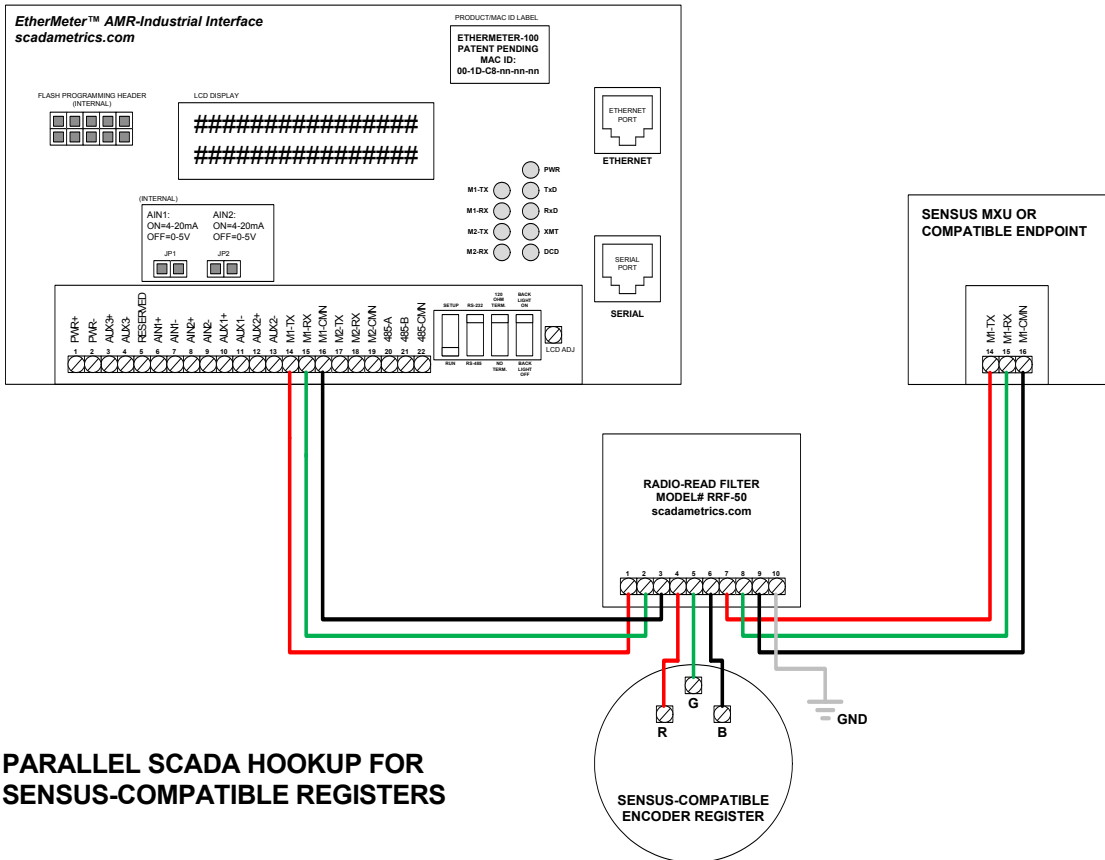
Additionally, the RRF-50 can be used to provide both a SCADA system and an AMR (Automatic Meter Reading) system with concurrent access to a single meter, as well. Example AMR interfaces include the Sensus MXU, Neptune R900, Itron ERT, and many others.



2 YEAR WARRANTY

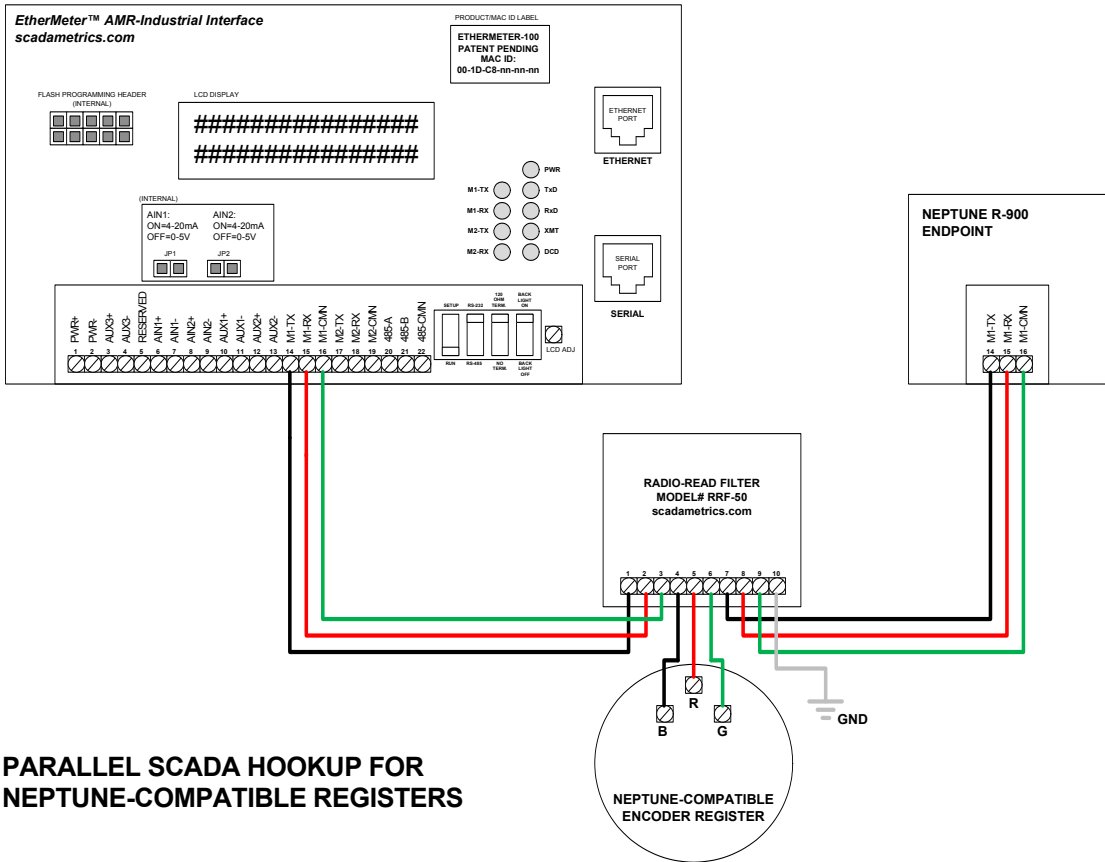


AWWA C707-05 COMPLIANT

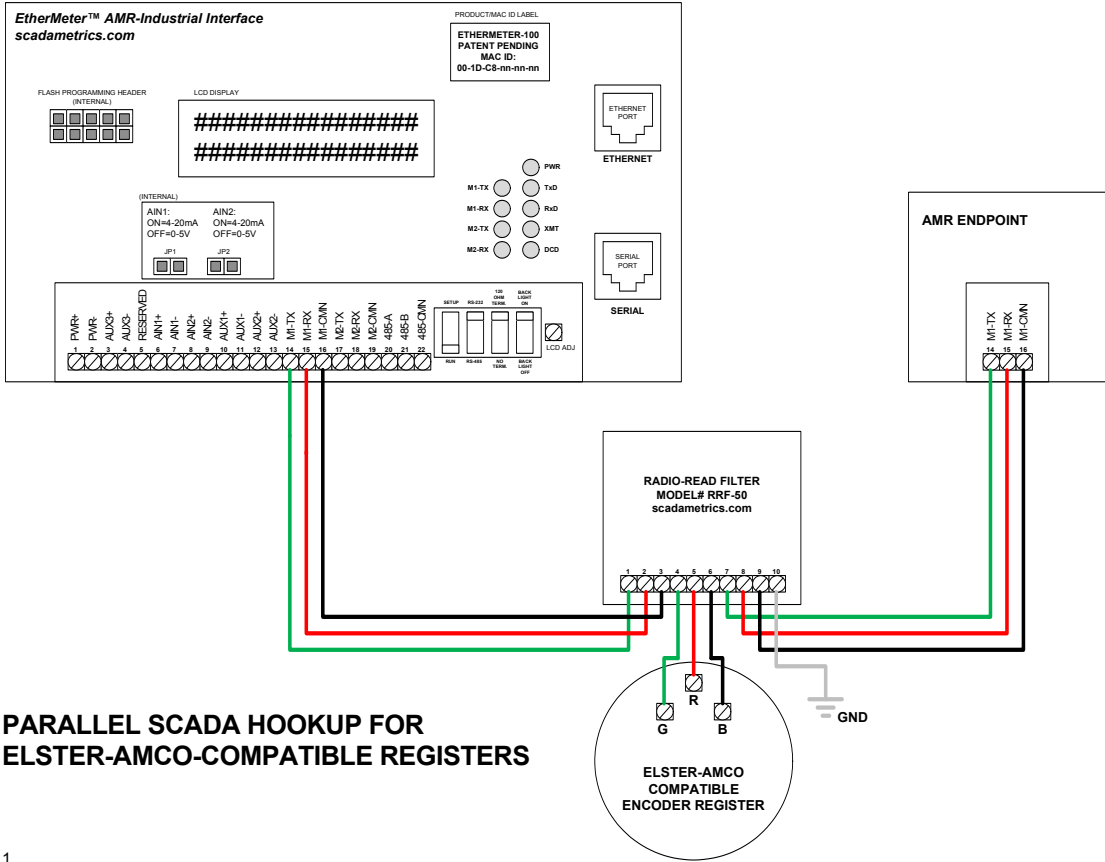


PARALLEL SCADA HOOKUP FOR SENSUS-COMPATIBLE REGISTERS





PARALLEL SCADA HOOKUP FOR NEPTUNE-COMPATIBLE REGISTERS



PARALLEL SCADA HOOKUP FOR ELSTER-AMCO-COMPATIBLE REGISTERS

1 See the Compatibility Matrix at scadmetrics.com for full compatibility details.
 2 If EtherMeter Experiences Read Errors With The RRF-50, Then Jumper RRF-50 Terminals 3,6, and 9.
 3 If EtherMeter Still Experiences Read Errors With The RRF-50, Then Jumper RRF-50 Terminals 2 and 5.
 4 The RRF-50 is rated for the following environmental conditions: Temperature: -30C to +85C. Relative Humidity: 5% to 95%, Non-Condensing. The RRF-50 is not pit-compatible unless potted by user.

SCADAmetrics
scadmetrics.com
Saint Louis, Missouri USA
(636)938-9633

DIMENSIONAL DRAWINGS

